

Description : GEA B

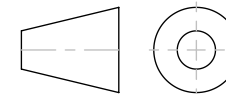
Code : AL8517 - GEA B

Revision : 02

Scale : 1:5

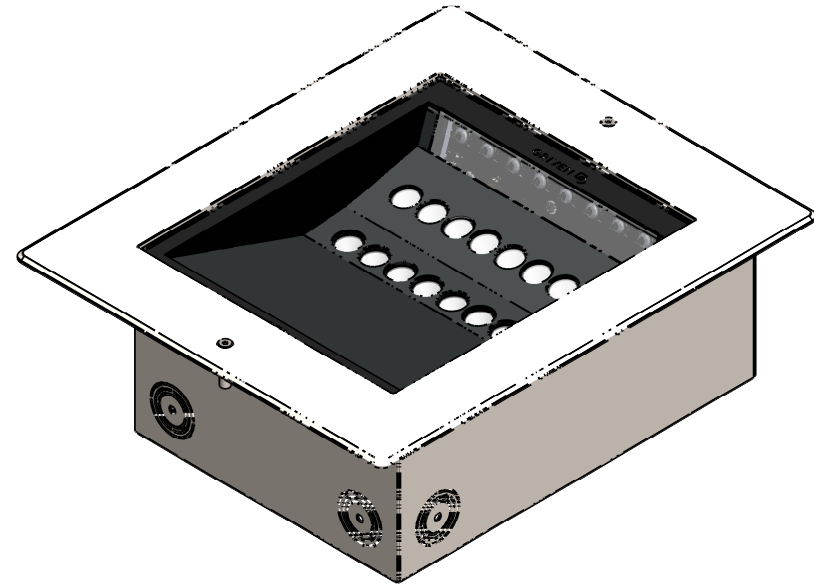
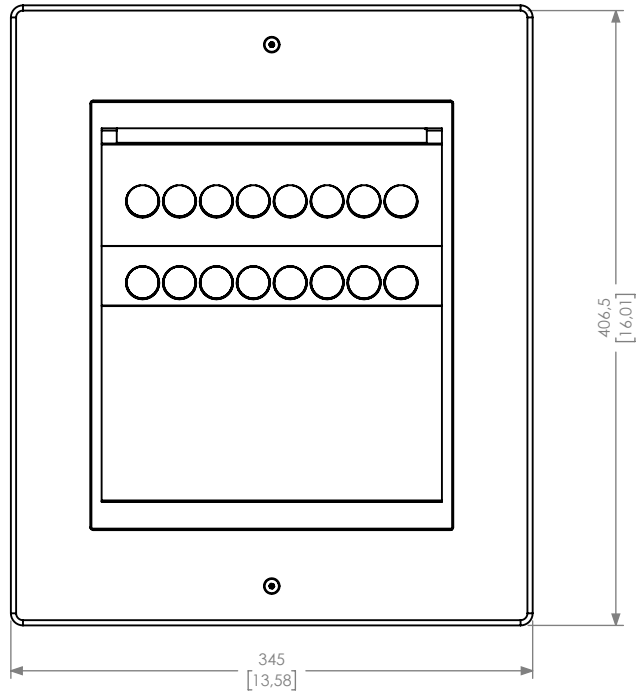
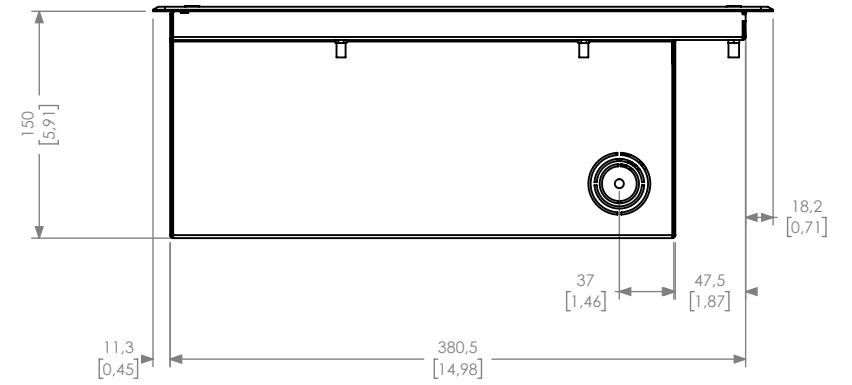
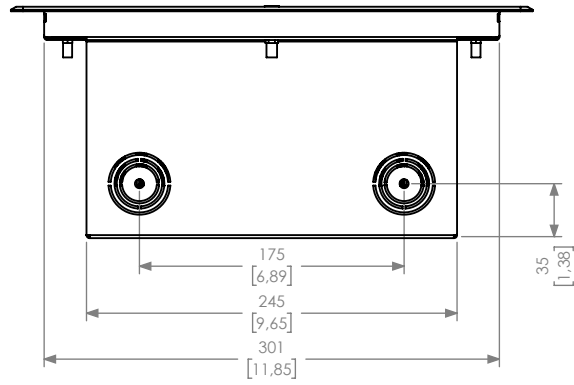
SHEET 1 OF 2

DIMENSIONS ARE IN MILLIMETERS [BRACKETED DIMENSIONS ARE IN INCHES]



GRIVEN 

<http://www.griven.com>



Description : GEA B + FORMWORK

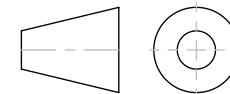
Code : AL8517+AL8455

Scale : 1:5

SHEET 2 OF 2

Revision : 02

DIMENSIONS ARE IN MILLIMETERS [BRACKETED DIMENSIONS ARE IN INCHES]



GRIVEN 

<http://www.griven.com>